

# PORTABLE FULL HEIGHT TRIUMPH INDUSTRIAL TURNSTILE



- Perfect solution for any event or construction site
- Forklift channels for ease of movement
- Suitable for applications high volume access and medium levels of security
- Compatible with all access control and ticketing systems

## DESIGNED FOR:

- ▽ Interior and exterior installations
- ▽ Severe operating conditions

## AVAILABLE CONFIGURATIONS

- 3 arm (120°), 4 arm (90°) and 5 arm (72°)
- Single and Double

## FEATURES

- Designed by professional engineers
- Ultra heavy-duty electromechanical rotation locking mechanism
- Bi-directional operation
- Suspended rotor technology – eliminating stress on the base bearing
- Self-centering rotation system – rotor returns to starting position after every rotation
- Shock absorbing rubber coupling system
- Anti-trap safety system - no mid-rotation locking or trapping in the event of a power failure
- Programmable PLC logic with user diagnostic features
- Mechanical key override – clockwise and anticlockwise directions
- Ultra quiet, buffered solenoids and pawls
- Designed for the harshest of conditions
- Zinc plated - 100% corrosion resistant; unaffected by dust, dirt or moisture

## TECHNICAL SPECIFICATIONS

<b>POWER</b>	220 Volt AC (110 Volt AC on request)	
<b>FREQUENCY</b>	50Hz / 60Hz	
<b>POWER CONSUMPTION</b>	50W (single turnstile) / 100W (double turnstile)	
<b>SOLENOID VOLTAGE</b>	24 Volt DC (12 Volt DC on request)	
<b>LOGIC VOLTAGE</b>	24 Volt DC	
<b>DIMENSIONS</b>	Single turnstile:	<ul style="list-style-type: none"> <li>• 56.3" (1400mm) wide x 83.66" (2125mm) high</li> <li>• 55.11" (1430mm) wide x 88.58" (2250mm) high - recommended min.</li> </ul>
	Double turnstile:	<ul style="list-style-type: none"> <li>• 84.64" (2150mm) wide x 88.58" (2125mm) high</li> <li>• 85.82" (2180mm) wide x 88.58" (2250mm) high - recommended min.</li> </ul>
<b>ROTOR DIAMETER</b>	47.24" (1200mm)	
<b>ROTOR ARM CONFIGURATION</b>	<ul style="list-style-type: none"> <li>• 3 arm (120°)</li> <li>• 4 arm (90°)</li> <li>• 5 arm (72°) – ultra secure</li> </ul>	
<b>ROTOR ARMS</b>	1.26" (32mm) diameter U-tube arms spaced 6.5" (165mm) apart	
<b>WEIGHT</b>	Single turnstile (4 arm)	352 lbs. 12 oz. (160kg) WITHOUT THE BASE
	Double turnstile (4 arm)	562 lb 3 oz. (255kg) WITHOUT THE BASE
<b>DESIGN</b>	Modular bolt-together design for ease of transport and installation. Components can pass through a standard door. Can be packed in broken-down form either onto a pallet or into a crate for transport	
<b>SYSTEMS INTEGRATION</b>	<ul style="list-style-type: none"> <li>• Integrates with all access control and time &amp; attendance systems</li> <li>• Unlocking for entry / exit rotation controlled through normally open dry contact</li> <li>• Transaction / Rotation complete output</li> <li>• Integral wireways with draw wires in place – no exposed wires</li> </ul>	

## MANUFACTURING OPTIONS

<b>ROTATION OPTIONS</b>	<ul style="list-style-type: none"> <li>• Electrically controlled bi-directional rotation (factory standard)</li> <li>• Mechanically controlled uni-directional rotation by means of key override</li> <li>• Free rotation</li> </ul>
<b>LOCKING OPTIONS</b>	<ul style="list-style-type: none"> <li>• Fail-secure auto-lock on power failure (factory standard)</li> <li>• Fail-safe auto-unlock on power failure</li> <li>• Each direction of rotation configurable for either fail-secure or fail-safe operation</li> </ul>
<b>FIRE ALARM OPTIONS</b>	<ul style="list-style-type: none"> <li>• Free rotation when triggered indefinitely (logic programmed for either direction of rotation on request)</li> </ul>
<b>POWER OPTIONS</b>	<ul style="list-style-type: none"> <li>• Battery backup with two 12 volt 7Ah batteries connected in series</li> <li>• Up to 1000 transactions in fail-secure mode</li> <li>• Up to 60 minutes operation in fail-safe mode</li> </ul>
<b>FLAT ROOF CANOPY OPTION</b>	<ul style="list-style-type: none"> <li>• Provides protection from the elements</li> <li>• Anti-climb protection</li> <li>• Low energy light on underside of canopy</li> </ul>
<b>SPECIAL PHYSICAL DESIGN OPTIONS</b>	<ul style="list-style-type: none"> <li>• Restrictor tubes for increased security (4 arm turnstile only)</li> <li>• 180° rotation setting for extra walk through space (4 arm turnstile only)</li> <li>• Special narrow single turnstile design of 47.24" (1200mm) wide</li> <li>• Special split cover for low ceilings</li> <li>• Special internal mechanism dust cover for dirty environments</li> <li>• Heavy-duty base for portability (with forklift channels)</li> </ul>
<b>ACCESSORY OPTIONS</b>	<ul style="list-style-type: none"> <li>• Card / Proximity reader mounting brackets</li> <li>• Biometric / Fingerprint reader mounting brackets</li> <li>• Single / Double pushbutton in plastic housing</li> <li>• LED red cross &amp; green arrow indicator light</li> <li>• Multiple coin acceptor for pay-for-entry systems</li> <li>• LCD transaction counter with reset key switch</li> <li>• Random search device</li> </ul>
<b>FINISH OPTIONS</b>	<ul style="list-style-type: none"> <li>• Mild steel with UV resistant polyester exterior powder coat finish (charcoal blue hammertone)</li> <li>• Mild steel with hot dip galvanised finish</li> <li>• Mild steel hot dip galvanised with UV resistant polyester exterior powder coat finish (charcoal blue hammertone)</li> <li>• 304 grade brushed stainless steel</li> <li>• 316 grade brushed stainless steel suitable for corrosive environments (details available on request) other colours available on request</li> </ul>

## TURNSTILE QUALITIES

- 1 Rotalok® rotation locking mechanism and electronic control panel
  - Incorporates:
    - Anti-Trap® safety system
    - Suspended Rotor technology
- 2 Lockable top cover
- 3 Mechanical key override
- 4 Shock absorbing rubber coupling
- 5 1.26" (32mm) diameter U-tube arms spaced 6.5" (165mm) apart
- 6 Access control reader mounting position
- 7 LED indicator light mounting position
- 8 Rotarun® perpetual base bearing
- 9 Wiring side entry point
- 10 Wiring bottom entry point
- 11 Floor bolting positions – 7 Off
- 12 Wall bolting positions – 2 Off



## MODELS

**TRIUMPH 3 SINGLE**



**TRIUMPH 4 SINGLE**



**TRIUMPH 5 SINGLE**



**TRIUMPH 4 DOUBLE**

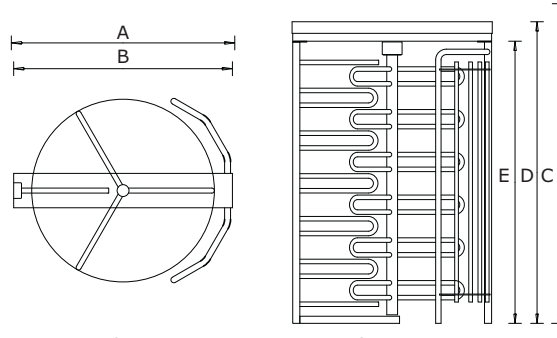
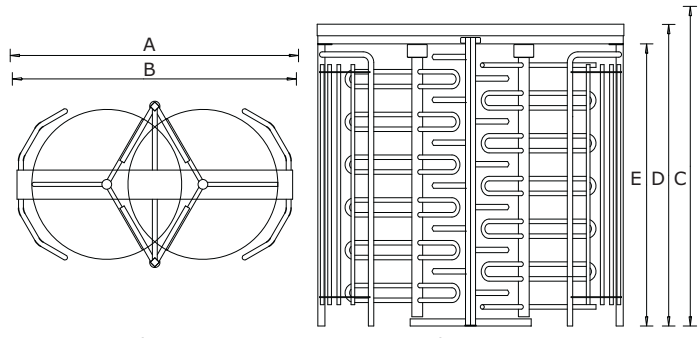


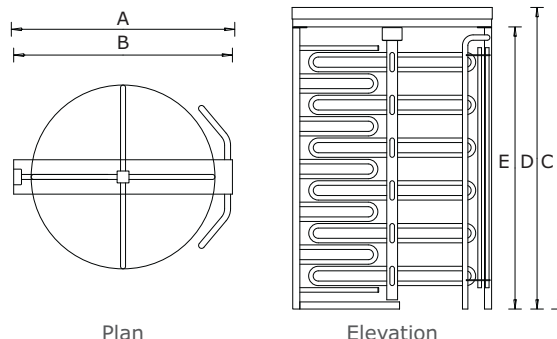
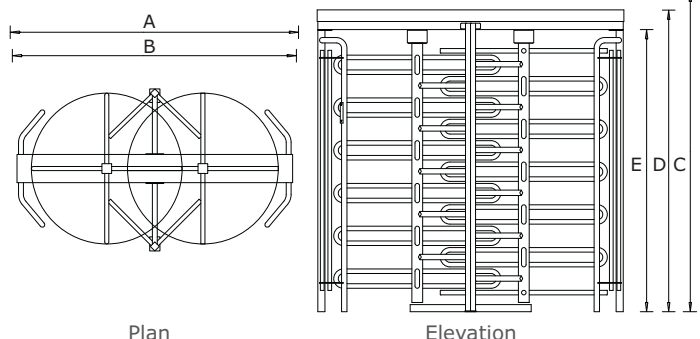
**TRIUMPH PORTABLE RANGE**

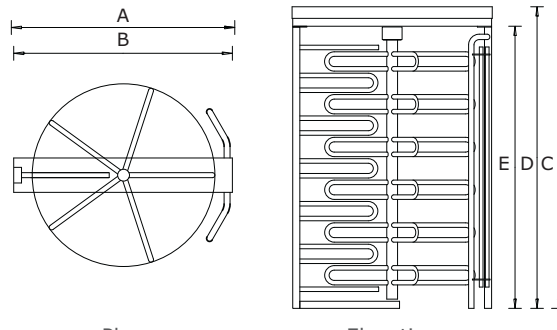
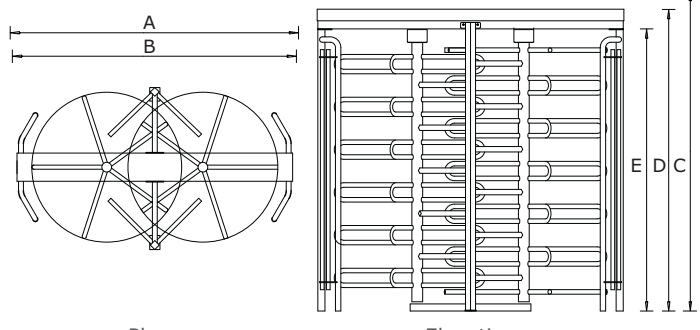


### PORTABLE SERIES TURNSTILE DIMENSIONS: Inches (mm)

TRIUMPH SINGLE RANGE			TRIUMPH DOUBLE RANGE		
A	Recommended opening width	56.3" (1430)	A	Recommended opening width	85.82" (2180)
B	Turnstile width	55.11" (1400)	B	Turnstile width	84.64" (2150)
C	Recommended opening height	88.58" (2250)	C	Recommended opening height	88.58" (2250)
D	Turnstile height	83.66" (2125)	D	Turnstile height	88.58" (2125)
E	Headroom	78.18" (1986)	E	Headroom	78.18" (1986)

TRIUMPH 3 SINGLE		TRIUMPH 3 DOUBLE	
 <p>Plan</p> <p>Elevation</p>	 <p>Plan</p> <p>Elevation</p>		

TRIUMPH 4 SINGLE		TRIUMPH 4 DOUBLE	
 <p>Plan</p> <p>Elevation</p>	 <p>Plan</p> <p>Elevation</p>		

TRIUMPH 5 SINGLE		TRIUMPH 5 DOUBLE	
 <p>Plan</p> <p>Elevation</p>	 <p>Plan</p> <p>Elevation</p>		

**Due to our policy of continuous improvement, products are subject to change without notice. Custom designs available on request.**