

UNIQUE FEATURES OF THE CHARISMA

- Designed by professional engineers
- Cutting edge motor drive technology

F9@56@9

H97<BC@C; M

- Ultra-heavy-duty motor drive and gearbox
- Intelligent PLC controller

8 F56@9

: 95H F9G

- ROTOR | 170mm diameter 304 grade brushed stainless steel
- GLASS WINGS | 8mm CNC toughened glass
- FRAMEWORK | Combination of 50mm and 38mm diameter 304 grade brushed stainless steel

; | 5F5B998

A 5BI : 57H F98HC@5GH

- 12 month guarantee

H97<B-75@GD97÷-75HCBG

DCK 9F

220 Volt AC

DCK 9F : 5@ F9CD9F 5HCB

The glass wings can be easily be turned by hand

: F95@FA CD9F 5HCB

Trigger allows free rotation in a preset direction

GMHAG-BH9, F5HCB

Integrates with all access control and time & attendance systems

7CBHFC@ B-H

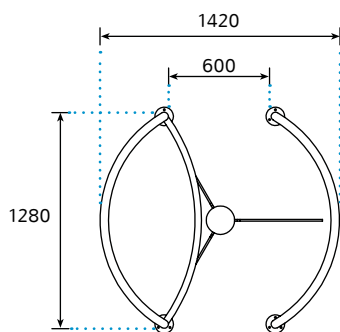
Supplied in a stand-alone plastic box with 10m of cable

7CBHFC@ B-H8-A 9BG-CBG

300mm wide x 400mm high x 210mm deep

GD97-5@B998G; 5H9F5B; 9

PLAN



ELEVATION

