

TRITON FULL HEIGHT

Octagonal Glass Turnstile



The TRITON full height series is designed to be a high security and aesthetic access control solution.

APPLICATIONS

- Suited for applications requiring high volume access and high levels of security
- Used extensively in applications such as office receptions, commercial buildings, etc.

DESIGNED FOR:

- Interior Installation
- Harsh operating conditions

AVAILABLE CONFIGURATIONS

- 3 wing (120°)
- Single and double

- FEATURES**
- Zinc plated for corrosion resistance
 - Ultra quiet, buffered solenoids and pawls
 - Solenoids rated for 100% duty cycle
 - Cased hardened locking disk and pawls eliminate any wear
 - Factory settings need no further adjustment
 - No routine maintenance ever
 - Ultra heavy-duty electromechanical rotation locking mechanism
 - Bi-directional operation

TECHNICAL SPECIFICATIONS

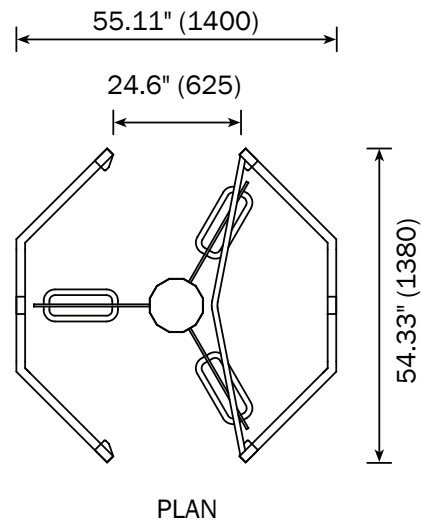
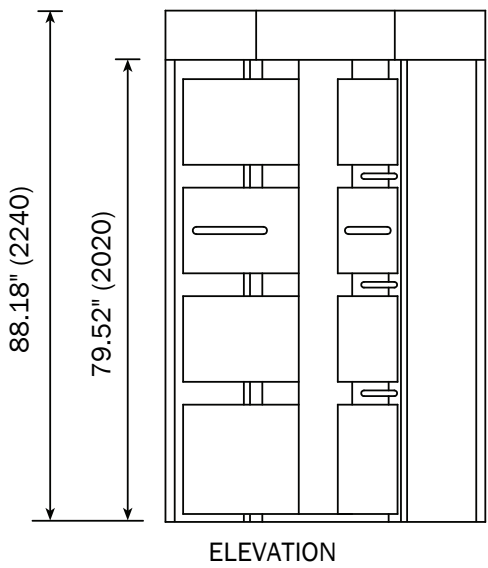
POWER	220 Volt AC (110 Volt AC on request)	
FREQUENCY	50Hz / 60Hz	
POWER CONSUMPTION	50W (single turnstile) / 100W (double turnstile)	
SOLENOID VOLTAGE	24 Volt DC (12 Volt DC on request)	
LOGIC VOLTAGE	24 Volt DC	
DIMENSIONS	Single turnstile	63" (1400) wide x 90.15" (2290) high
	Double turnstile	85.82" (2180) wide x 90.15" (2290) high
ROTOR DIAMETER	49.21" (1250mm)	
ROTOR WING CONFIGURATION	3 wing (120°)	
FORM	Octagonal	
ROTOR GLASS WINGS	10mm toughened glass	
KICKPLATE	6mm mild steel / stainless steel	
FRAME GLASS INFILL	6mm toughened glass	
PUSH HANDLES	Stainless steel	
LIGHTING	4 low-voltage downlighters	
DESIGN	Modular bolt-together design for ease of transport and installation. Components can pass through a standard door. Can be packed in broken-down form either onto a pallet or into a crate for transport	
SYSTEMS INTEGRATION	<ul style="list-style-type: none"> Integrates with all access control and time & attendance systems Unlocking for entry / exit rotation controlled through normally open dry contact Transaction / Rotation complete output Integral wireways with draw wires in place – no exposed wires 	

MANUFACTURING OPTIONS

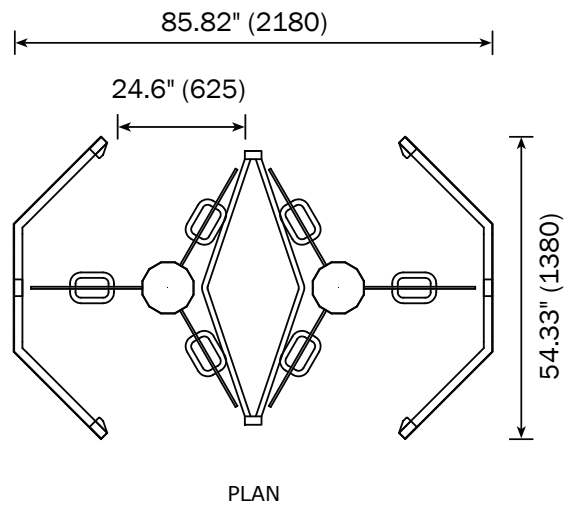
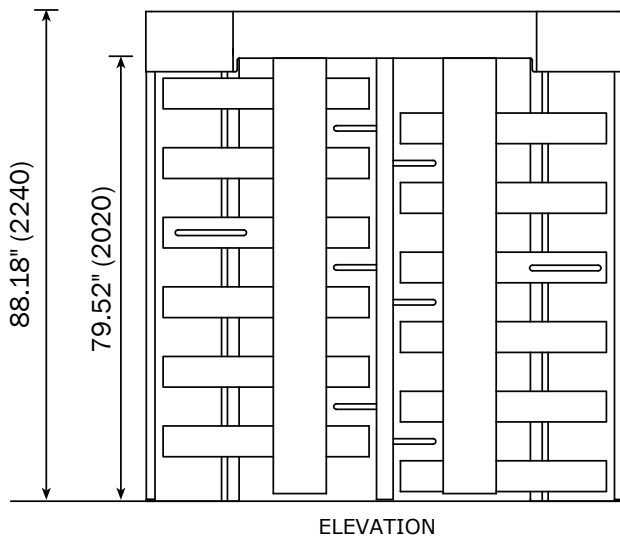
ROTATION OPTIONS	<ul style="list-style-type: none"> Electrically controlled bi-directional rotation (factory standard) Mechanically controlled uni-directional rotation by means of key override Free rotation
LOCKING OPTIONS	<ul style="list-style-type: none"> Fail-secure auto-lock on power failure (factory standard) Fail-safe auto-unlock on power failure Each direction of rotation configurable for either fail-secure or fail-safe operation
FIRE ALARM OPTIONS	<ul style="list-style-type: none"> Free rotation when triggered indefinitely (logic programmed for either direction of rotation on request)
POWER OPTIONS	<ul style="list-style-type: none"> Battery backup with two 12 volt 7Ah batteries connected in series <ul style="list-style-type: none"> Up to 1 000 transactions in fail-secure mode Up to 60 minutes operation in fail-safe mode
ACCESSORY OPTIONS	<ul style="list-style-type: none"> Card / Proximity reader mounting brackets Biometric / Fingerprint reader mounting brackets Single / Double pushbutton in plastic housing LED red cross and green arrow indicator light
FRAME & KICKPLATE FINISH OPTIONS	<ul style="list-style-type: none"> Mild steel with UV resistant polyester exterior powder coat finish (charcoal blue hammertone) <input type="checkbox"/> 304 grade brushed stainless steel 316 grade brushed stainless steel <input type="checkbox"/>
	<input type="checkbox"/> other colours available on request
	<input type="checkbox"/> suitable for corrosive environments (details available on request)



TRITON OCTAGONAL SINGLE DIMENSIONS: Inches (mm)



TRITON OCTAGONAL DOUBLE DIMENSIONS: Inches (mm)



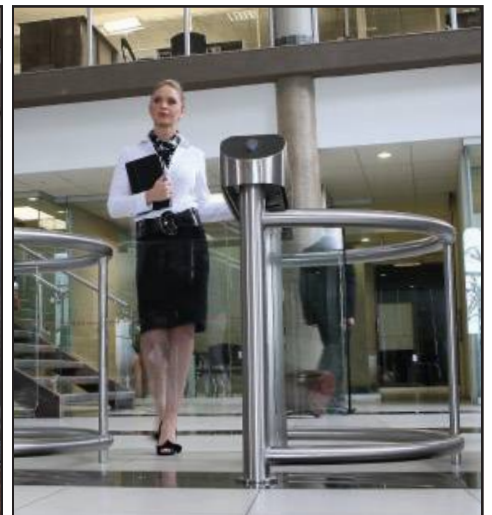
RELATED PRODUCTS



**TRITON FULL HEIGHT
 CURVED GLASS TURNSTILE**



**MANUAL AND AUTOMATIC
 REVOLVING DOORS**



**TRITON HALF HEIGHT
 GLASS TURNSTILE**