

TITAN THREE QUARTER HEIGHT INDUSTRIAL TURNSTILE



- The TITAN Three Quarter Height is a medium security, aesthetic choice for your entrance
- Designed for high speed, ultra quiet operation
- Exported worldwide

APPLICATIONS

- Suited for applications requiring high volume access and medium levels of security
- Used extensively in applications such as mines, factories, warehouses, universities and stadiums

DESIGNED FOR

- Interior and exterior installations
- Severe operating conditions

AVAILABLE CONFIGURATIONS

- 3 arm (120°) and 4 arm (180°)
- Single and Double

Technical Specifications

POWER	220 Volt AC (110 Volt AC on request)	
FREQUENCY	50Hz / 60Hz	
POWER CONSUMPTION	50W (single turnstile) / 100W (double turnstile)	
SOLENOID VOLTAGE	24 Volt DC (12 Volt DC on request)	
LOGIC VOLTAGE	24 Volt DC	
DIMENSIONS	Single turnstile:	• 1 335mm wide x 1 400mm long x 1 570mm high
	Double turnstile:	• 1 950mm wide x 1 400mm long x 1 570mm high
ROTOR DIAMETER	1 200mm	
ROTOR ARM CONFIGURATION	<ul style="list-style-type: none"> • 3 arm (120°) • 4 arm (90°) 	
ROTOR ARMS	50mm diameter tube arms	
WEIGHT	Single turnstile (4 arm)	145kg
	Double turnstile (4 arm)	230kg
DESIGN	Modular bolt-together design for ease of transport and installation. Components can pass through a standard door. Can be packed in broken-down form either onto a pallet or into a crate for transport	
SYSTEMS INTEGRATION	<ul style="list-style-type: none"> • Integrates with all access control and time & attendance systems • Unlocking for entry / exit rotation controlled through normally open dry contact • Transaction / Rotation complete output • Integral wireways with draw wires in place – no exposed wires 	

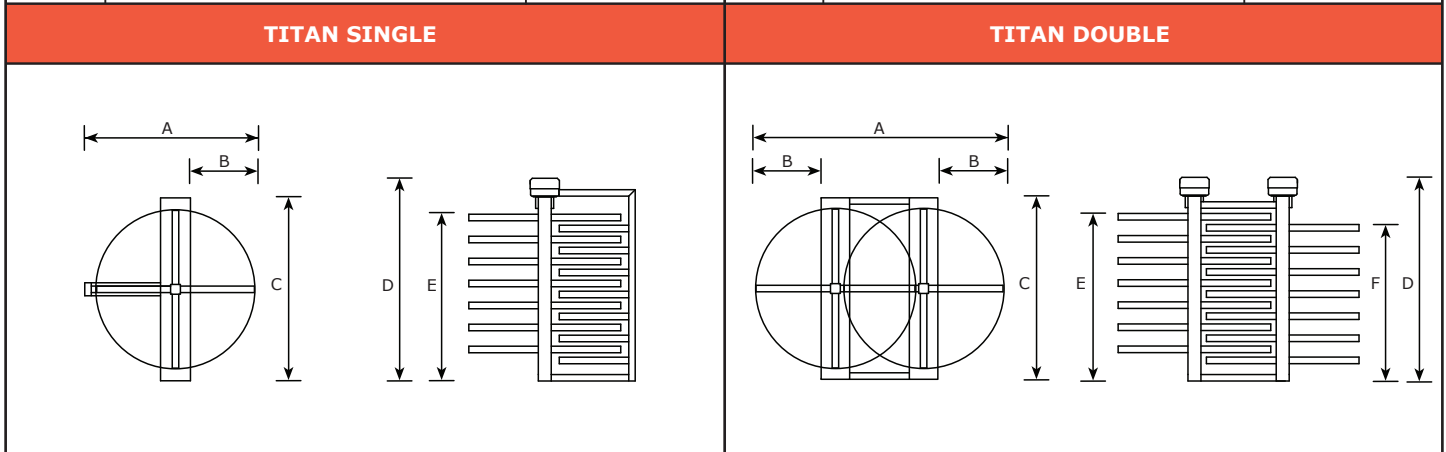
Manufacturing options

ROTATION OPTIONS	<ul style="list-style-type: none"> • Electrically controlled bi-directional rotation (factory standard) • Mechanically controlled uni-directional rotation by means of key override • Free rotation
LOCKING OPTIONS	<ul style="list-style-type: none"> • Fail-secure auto-lock on power failure (factory standard) • Fail-safe auto-unlock on power failure • Each direction of rotation configurable for either fail-secure or fail-safe operation
FIRE ALARM OPTIONS	<ul style="list-style-type: none"> • Free rotation when triggered indefinitely (logic programmed for either direction of rotation on request)
POWER OPTIONS	<ul style="list-style-type: none"> • Battery backup with two 12 volt 7Ah batteries connected in series <ul style="list-style-type: none"> o Up to 1 000 transactions in fail-secure mode o Up to 60 minutes operation in fail-safe mode
ACCESSORY OPTIONS	<ul style="list-style-type: none"> • Turnstile screen (in matching finish) • Card / Proximity reader mounting brackets • Biometric / Fingerprint reader mounting brackets • Single / Double pushbutton in plastic housing • LED red cross & green arrow indicator light • Multiple coin acceptor for pay-for-entry systems • LCD transaction counter with reset key switch • Random search device
FINISH OPTIONS	<ul style="list-style-type: none"> • Mild steel with UV resistant polyester exterior powder coat finish (charcoal blue hammertone) <input type="checkbox"/> • Mild steel with hot dip galvanised finish <input type="checkbox"/> • Mild steel hot dip galvanised with UV resistant polyester exterior powder coat finish (charcoal blue hammertone) <input type="checkbox"/> • 304 grade brushed stainless steel • 316 grade brushed stainless steel <input type="checkbox"/> <p><input type="checkbox"/> suitable for corrosive environments (details available on request)</p> <p><input type="checkbox"/> other colours available on request</p>



TITAN RANGE

TITAN SINGLE RANGE			TITAN DOUBLE RANGE		
A	Turnstile width	1 335mm	A	Turnstile width	1950mm
B	Walkthrough width	525mm	B	Walkthrough width	525mm
C	Turnstile length	1 400mm	C	Turnstile length	1 400mm
D	Overall height	1 570mm	D	Overall height	1 570mm
E	Arm height (1)	1 290mm	E	Arm height (1)	1 290mm
F	Arm height (2)	N/A	F	Arm height (2)	1 205mm



Note: The turnstile screen shown below is an optional extra.
Due to our policy of continuous improvement, products are subject to change without notice.
Custom designs available on request

© Turnstar Systems 2012



STAR QUALITIES

- 1 Rotalok® rotation locking mechanism and electronic control panel
- Incorporates:
 - Anti-Trap® safety system
 - Suspended Rotor technology
- 2 Lockable top cover
- 3 Mechanical key override
- 4 Shock absorbing rubber coupling
- 5 50mm diameter tube arms
- 6 Access control reader mounting position
- 7 Rotarun® perpetual base bearing
- 8 Wiring entry point
- 9 Optional turnstile screen



- Sole supplier of turnstiles to the ICC Cricket World Cup 2003
- Sole supplier of turnstiles to the CAF African Cup of Nations, Ghana 2008
- Sole supplier of turnstiles to the Green Point, Soccer City, Ellis Park, Loftus Versveld, Royal Bafokeng, Bloemfontein, Nelspruit and Polokwane South African National Football Stadiums

Turnstar Systems CC Reg No 1990/011871/23
 17, 5th Street, Wynberg, Sandton, 2090, South Africa
 PO Box 41, Highlands North, 2037
 Tel 0861 TURNSTAR / TURNSTILE
 Tel +27(0)11 786 1633 / Tel +27(0)11 021 8669/70 Fax +27(0)11 440 5839
info@turnstar.co.za www.turnstar.co.za



RELIABLE ★ DURABLE ★ GUARANTEED