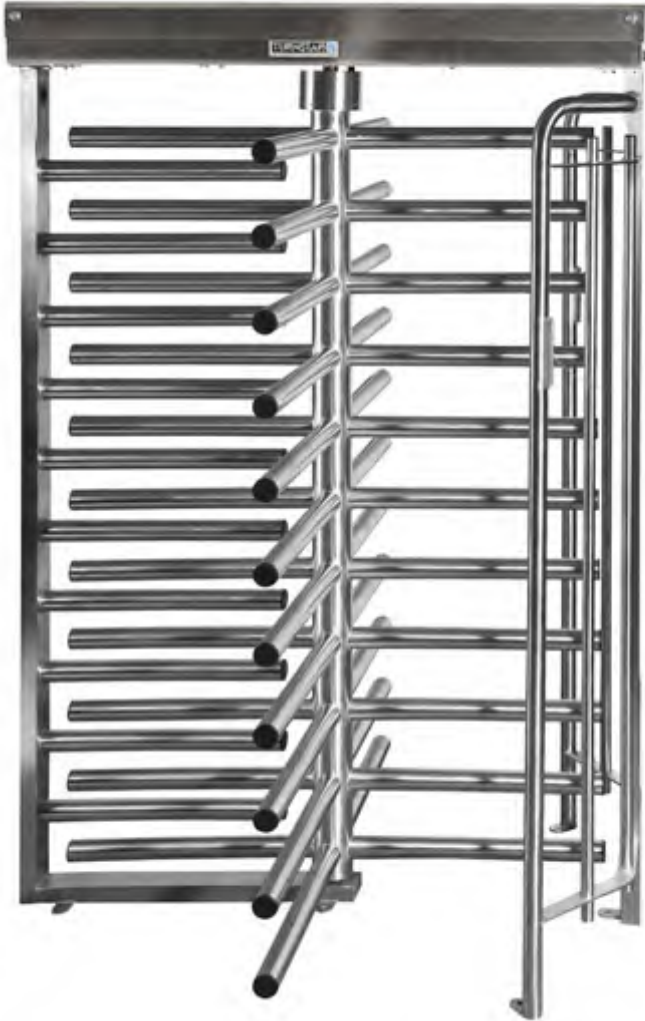


TITAN FULL HEIGHT INDUSTRIAL TURNSTILE



- The TITAN is a high security, aesthetic choice for your entrance
- The TITAN provides a high level of perimeter security
- Exported worldwide

APPLICATIONS

- Suited for applications requiring high volume access and high levels of security
- Used extensively in applications such as mines, factories, warehouses, colleges and stadiums

DESIGNED FOR:

- ▽ Interior and exterior installations
- ▽ Severe operating conditions

AVAILABLE CONFIGURATIONS

- 3 arm (120°) and 4 arm (90°)
- Single and Double

FEATURES

- Designed by professional engineers
- Ultra heavy-duty electromechanical rotation locking mechanism
- Bi-directional operation
- Suspended rotor technology – eliminating stress on the base bearing
- Self-centering rotation system – rotor returns to starting position after every rotation
- Shock absorbing rubber coupling system
- Anti-trap safety system - no mid-rotation locking or trapping in the event of a power failure
- Programmable PLC logic with user diagnostic features
- Mechanical key override – clockwise and anticlockwise directions
- Ultra quiet, buffered solenoids and pawls
- Designed for the harshest of conditions
- Zinc plated - 100% corrosion resistant; unaffected by dust, dirt or moisture

Technical Specifications

POWER	220 Volt AC (110 Volt AC on request)	
FREQUENCY	50Hz / 60Hz	
POWER CONSUMPTION	50W (single turnstile) / 100W (double turnstile)	
SOLENOID VOLTAGE	24 Volt DC (12 Volt DC on request)	
LOGIC VOLTAGE	24 Volt DC	
DIMENSIONS	Single turnstile:	<ul style="list-style-type: none"> 1 400mm wide x 2 125mm high 1 430mm wide x 2 250mm high - recommended minimum opening size
	Double turnstile:	<ul style="list-style-type: none"> 2 150mm wide x 2 125mm high 2 180mm wide x 2 250mm high - recommended minimum opening size
ROTOR DIAMETER	1 200mm	
ROTOR ARM CONFIGURATION	<ul style="list-style-type: none"> 3 arm (120°) 4 arm (90°) 	
ROTOR ARMS	50mm diameter tube arms spaced 120mm apart	
WEIGHT	Single turnstile (4 arm)	160kg
	Double turnstile (4 arm)	255kg
DESIGN	Modular bolt-together design for ease of transport and installation. Components can pass through a standard door. Can be packed in broken-down form either onto a pallet or into a crate for transport	
SYSTEMS INTEGRATION	<ul style="list-style-type: none"> Integrates with all access control and time & attendance systems Unlocking for entry / exit rotation controlled through normally open dry contact Transaction / Rotation complete output Integral wireways with draw wires in place – no exposed wires 	

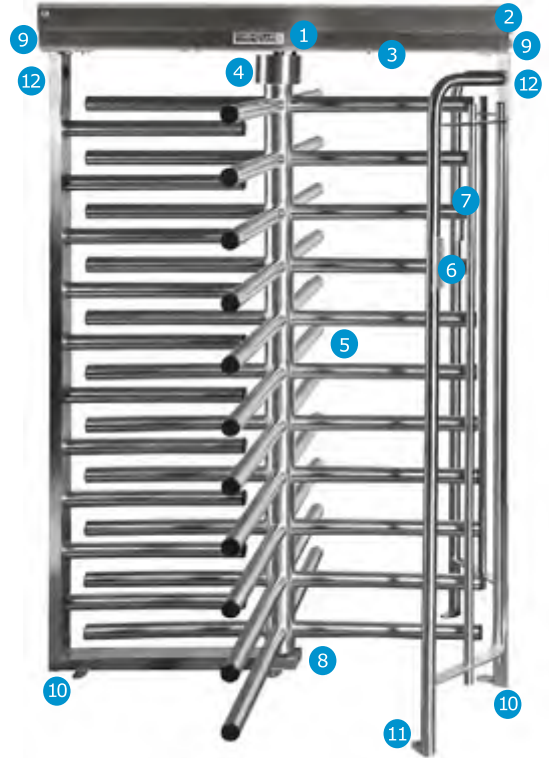
Manufacturing options

ROTATION OPTIONS	<ul style="list-style-type: none"> Electrically controlled bi-directional rotation (factory standard) Mechanically controlled uni-directional rotation by means of key override Free rotation
LOCKING OPTIONS	<ul style="list-style-type: none"> Fail-secure auto-lock on power failure (factory standard) Fail-safe auto-unlock on power failure Each direction of rotation configurable for either fail-secure or fail-safe operation
FIRE ALARM OPTIONS	<ul style="list-style-type: none"> Free rotation when triggered indefinitely (logic programmed for either direction of rotation on request)
POWER OPTIONS	<ul style="list-style-type: none"> Battery backup with two 12 volt 7Ah batteries connected in series <ul style="list-style-type: none"> Up to 1 000 transactions in fail-secure mode Up to 60 minutes operation in fail-safe mode
FLAT ROOF CANOPY OPTION	<ul style="list-style-type: none"> Provides protection from the elements Anti-climb protection Low energy light on underside of canopy
SPECIAL PHYSICAL DESIGN OPTIONS	<ul style="list-style-type: none"> Restrictor tubes for increased security (4 arm turnstile only) 180° rotation setting for extra walkthrough space (4 arm turnstile only) Special narrow single turnstile design of 1 200mm wide Special split cover for low ceilings Special internal mechanism dust cover for dirty environments Heavy-duty base for portability (with forklift channels)
ACCESSORY OPTIONS	<ul style="list-style-type: none"> Card / Proximity reader mounting brackets Biometric / Fingerprint reader mounting brackets Single / Double pushbutton in plastic housing LED red cross & green arrow indicator light Multiple coin acceptor for pay-for-entry systems LCD transaction counter with reset key switch Random search device
FINISH OPTIONS	<ul style="list-style-type: none"> Mild steel with UV resistant polyester exterior powder coat finish (charcoal blue hammertone) <input type="checkbox"/> Mild steel with hot dip galvanised finish <input type="checkbox"/> 304 grade brushed stainless steel <input type="checkbox"/> 316 grade brushed stainless steel <input type="checkbox"/>
	<ul style="list-style-type: none"> <input type="checkbox"/> suitable for corrosive environments (details available on request) <input type="checkbox"/> other colours available on request



STAR QUALITIES

- 1 Rotalok® rotation locking mechanism and electronic control panel
 - Incorporates:
 - Anti-Trap® safety system
 - Suspended Rotor technology
- 2 Lockable top cover
- 3 Mechanical key override
- 4 Shock absorbing rubber coupling
- 5 50mm diameter tube arms spaced 120mm apart
- 6 Access control reader mounting position
- 7 LED indicator light mounting position
- 8 Rotarun® perpetual base bearing
- 9 Wiring side entry point
- 10 Wiring bottom entry point
- 11 Floor bolting positions - 7 Off
- 12 Wall bolting positions - 2 Off



2. Lockable top cover



6. Access control reader mounting position (optional bracket shown)



9. Wiring side entry point
12. Wall bolting position



Flat roof canopy option for full height turnstiles



STAR MODELS

TITAN 3 SINGLE



TITAN 3 DOUBLE



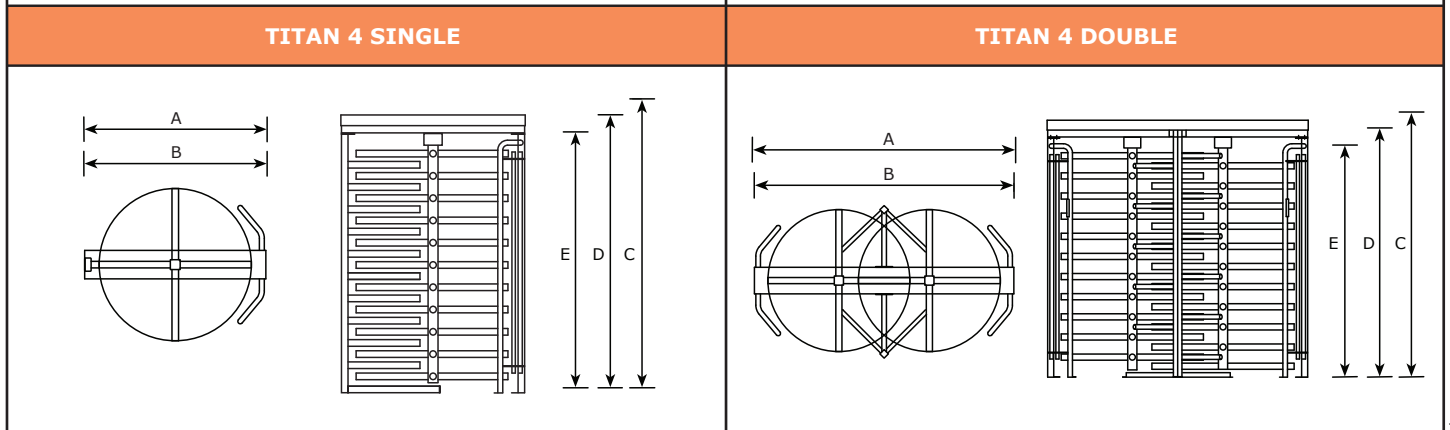
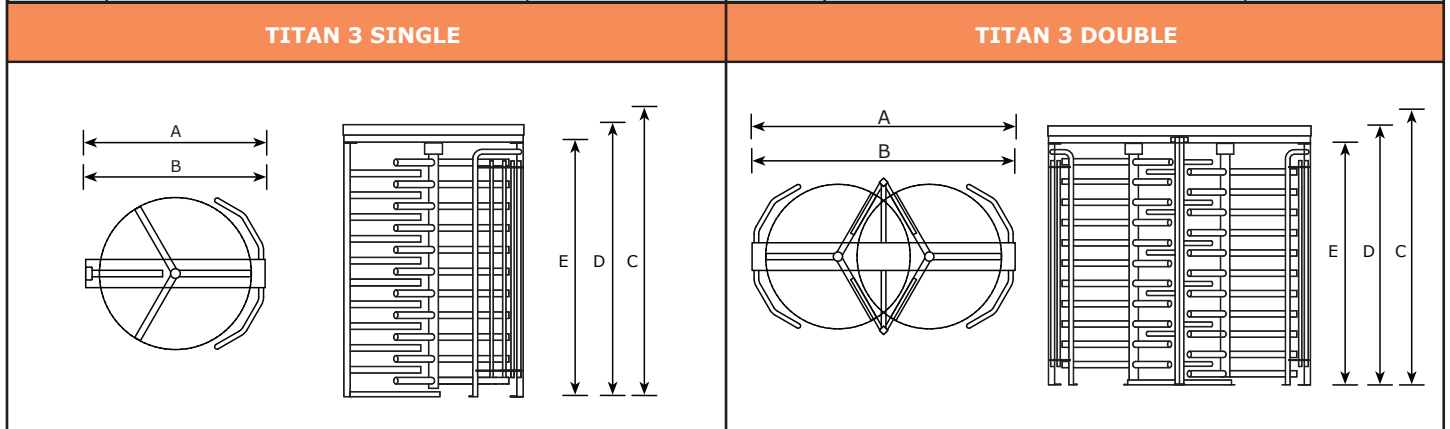
TITAN 4 SINGLE





TITAN RANGE

TITAN SINGLE RANGE			TITAN DOUBLE RANGE		
A	Recommended opening width	1 430mm	A	Recommended opening width	2 180mm
B	Turnstile width	1 400mm	B	Turnstile width	2 150mm
C	Recommended opening height	2 250mm	C	Recommended opening height	2 250mm
D	Turnstile height	2 125mm	D	Turnstile height	2 125mm
E	Headroom	1 986mm	E	Headroom	1 986mm



Due to our policy of continuous improvement, products are subject to change without notice. Custom designs available on request.

© Turnstar Systems 2011



STAR ADDITION

TURNSTAR manufactures a wide range of full height security gates and barriers to compliment your turnstile installation. The security gates can be fitted with a number of different locking options and are the perfect solution for special needs access through your entrance.



- Sole supplier of turnstiles to the ICC Cricket World Cup 2003
- Sole supplier of turnstiles to the CAF African Cup of Nations, Ghana 2008
- Sole supplier of turnstiles to the Green Point, Soccer City, Ellis Park, Loftus Versveld, Royal Bafokeng, Bloemfontein, Nelspruit and Polokwane South African National Football Stadiums