



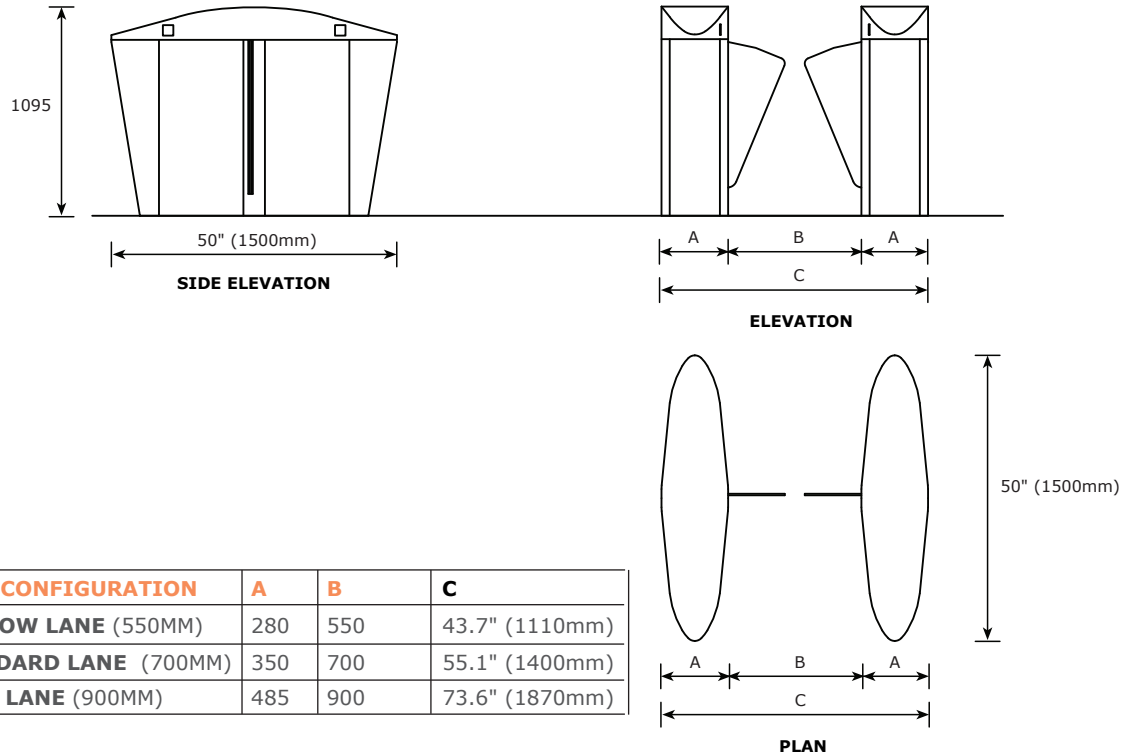
## TECHNICAL SPECIFICATIONS

<b>POWER</b>	220 Volt AC (110 Volt AC on request)	
<b>FREQUENCY</b>	50Hz / 60Hz	
<b>POWER CONSUMPTION</b>	300W per lane	
<b>POWER FAILURE OPERATION</b>	The glass wings can be easily moved into the cabinet to allow free access	
<b>FIRE ALARM OPERATION</b>	Trigger can activate barriers to remain in the open position for free access	
<b>SYSTEMS INTEGRATION</b>	Integrates with all access control and time & attendance systems	
<b>OPERATING CYCLE TIME</b>	Open	1 second
	Close	
<b>TAMPER ALARM</b>	<ul style="list-style-type: none"> <li>• Electronic output for a building security alert, e.g. to lock doors or activate CCTV</li> <li>• LED lights show red cross</li> <li>• Internal buzzer sounds</li> </ul>	
<b>STANDARD OPERATIONAL MODES</b>	<ul style="list-style-type: none"> <li>• Entry and exit</li> <li>• Entry only</li> <li>• Exit only</li> <li>• Optical mode for entry and exit</li> </ul> <p>All modes can be changed using a selector switch supplied with with the Speedstile Express</p>	



## SPEEDSTILE EXPRESS RANGE

### SPEEDSTILE EXPRESS SINGLE LANE



### SPEEDSTILE EXPRESS DOUBLE LANE

