

## **SPECIAL NEEDS GATE**

### **SEMI-AUTOMATIC**



- Provides controlled access and unassisted closing for any need, be it a trolley, wheelchair or baby buggy
- Exported worldwide



#### **APPLICATIONS**

- Suited for applications requiring low volume access and low levels of security
- Used extensively in applications such as office receptions, universities, health clubs, museums and libraries

#### **DESIGNED FOR**

- Interior installations and covered exterior installations
- Light operating conditions

#### **AVAILABLE CONFIGURATIONS**

- 90° opening and 180° opening
- Framed and frameless options

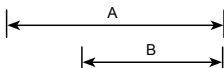
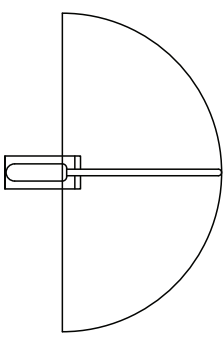
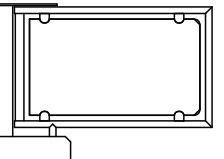
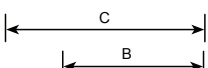
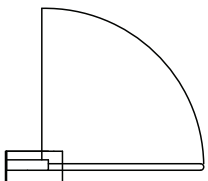
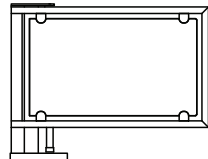
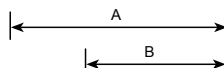
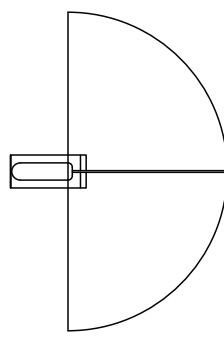

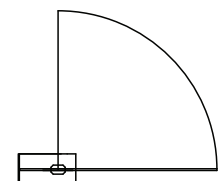
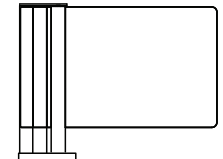
## TECHNICAL SPECIFICATIONS

<b>POWER</b>	220 Volt AC (110 Volt AC on request)	
<b>FREQUENCY</b>	50Hz / 60Hz	
<b>POWER CONSUMPTION</b>	15W	
<b>CONTROLLER VOLTAGE</b>	12 Volt DC	
<b>LOCKING MECHANISM</b>	90° opening gate	180kg concealed magnetic lock
	180° opening gate	Solenoid operated locking mechanism
<b>PIVOT</b>	Self lubricating plastic bush with stainless steel pin	
<b>GATE WING</b>	<ul style="list-style-type: none"> <li>Framed – 38mm stainless steel tube frame with glass clamps and 6mm toughened glass infill</li> <li>Frameless – 10mm toughened glass</li> </ul>	
<b>INDICATOR LIGHTS</b>	LED indicator lights (red cross, green arrow) mounted on top of gate post	
<b>SYSTEMS INTEGRATION</b>	<ul style="list-style-type: none"> <li>Integrates with all access control and time &amp; attendance systems</li> <li>Unlocking controlled through normally open dry contact</li> </ul>	
<b>POWER FAILURE &amp; FIRE ALARM</b>	Fail-safe – the gate unlocks and can then be opened	
<b>DESCRIPTION OF OPERATION</b>	<ul style="list-style-type: none"> <li>Gate is triggered either by means of a pushbutton, remote control or access control reader</li> <li>Gate can then either be pushed or pulled open</li> <li>Gate closes automatically and relocks</li> </ul>	

## MANUFACTURING OPTIONS

<b>DOOR CLOSER</b>	<ul style="list-style-type: none"> <li>Hold open floor spring door closer (holds gate open in the 90° position) - factory standard</li> <li>Non-hold open floor spring door closer</li> </ul>
<b>POWER OPTION</b>	Battery backup with two 12 volt 7Ah batteries connected in series (option)
<b>HANDING (90° GATE ONLY)</b>	<ul style="list-style-type: none"> <li>Left hand</li> <li>Right hand</li> </ul>
<b>FINISH OPTIONS</b>	<ul style="list-style-type: none"> <li>304 grade brushed stainless steel</li> <li>316 grade brushed stainless steel</li> </ul>
	Suitable for corrosive environments (details available on request)

## SPECIAL NEEDS GATE RANGE

FRAMED 180°	FRAMED 90°	FRAMELESS 180°	FRAMELESS 90°
  	  <p><b>LEFT HAND SHOWN</b> (ALSO AVAILABLE IN RIGHT HAND)</p> 	 	  <p><b>LEFT HAND SHOWN</b> (ALSO AVAILABLE IN RIGHT HAND)</p> 
<b>A: 1260mm    B: 820mm    C: 1152mm    D: 900mm</b>			